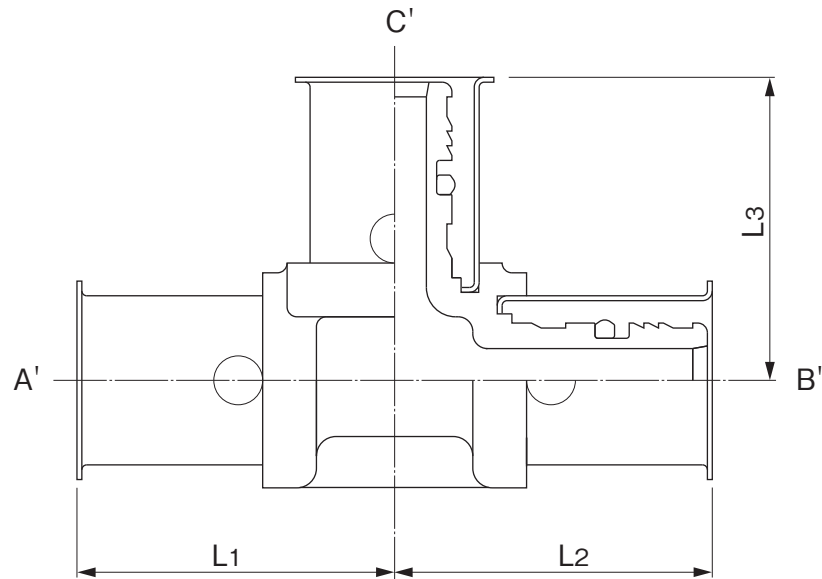


品名

エスロンメタキュット
チーズ

単位:mm

該当品番	呼び径 (A'×B'×C')	L1	L2	L3	A1	A2	A3	φD1	φD2	φD3	φd1	φd2	φd3
MKT13	13	32.5	32.5	31.0	19.0	19.0	19.0	17.3	17.3	17.3	6.5	6.5	6.5
MKT16	16	36.5	36.5	33.5	20.5	20.5	20.5	21.3	21.3	21.3	8.8	8.8	8.8
MKT161	16×16×13	34.5	34.5	32.0	20.5	20.5	19.0	21.3	21.3	17.3	8.8	8.8	6.5
MKT1633	16×13×13	34.5	32.5	32.0	20.5	19.0	19.0	21.3	17.3	17.3	8.8	6.5	6.5
MKT20	20	45.5	45.5	43.0	27.0	27.0	27.0	26.3	26.3	26.3	12.6	12.6	12.6
MKT201	20×20×16	43.0	43.0	36.5	27.0	27.0	20.5	26.3	26.3	21.3	12.6	12.6	8.8
MKT202	20×20×13	41.0	41.0	35.0	27.0	27.0	19.0	26.3	26.3	17.3	12.6	12.6	6.5
MKT2033	20×13×13	41.0	32.5	35.0	27.0	19.0	19.0	26.3	17.3	17.3	12.6	6.5	6.5
MKT25	25	51.7	51.7	47.2	27.2	27.2	27.2	33.6	33.6	33.6	18.6	18.6	18.6
MKT251	25×25×20	48.7	48.7	46.0	27.2	27.2	27.0	33.6	33.6	26.3	18.6	18.6	12.6
MKT252	25×25×16	46.2	46.2	39.5	27.2	27.2	20.5	33.6	33.6	21.3	18.6	18.6	8.8
MKT32	32	55.2	55.2	51.2	27.2	27.2	27.2	41.6	41.6	41.6	24.65	24.65	24.65
MKT321	32×32×25	50.2	50.2	52.2	27.2	27.2	27.2	41.6	41.6	33.6	24.65	24.65	18.6
MKT322	32×32×20	47.2	47.2	51.0	27.2	27.2	27.0	41.6	41.6	26.3	24.65	24.65	12.6
MKT40	40	69.6	69.6	65.6	36.6	36.6	36.6	52.25	52.25	52.25	33.2	33.2	33.2
MKT401	40×40×32	64.6	64.6	56.2	36.6	36.6	27.2	52.25	52.25	41.6	33.2	33.2	24.65
MKT402	40×40×25	59.6	59.6	57.2	36.6	36.6	27.2	52.25	52.25	33.6	33.2	33.2	18.6
MKT50	50	80.1	80.1	75.6	39.6	39.6	39.6	65.3	65.3	65.3	43.1	43.1	43.1
MKT501	50×50×40	73.1	73.1	72.6	39.6	39.6	39.6	65.3	65.3	52.25	43.1	43.1	33.2
MKT502	50×50×32	68.1	68.1	63.2	39.6	39.6	27.2	65.3	65.3	41.6	43.1	43.1	24.65

品名

エスロンメタキュット
チーズ

図番

SMX-K-008

作成日

2022.3.1

製図

積水化学工業株式会社